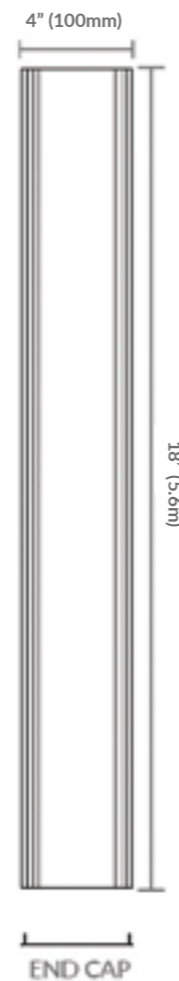


## SLIMLINE TILE INSERT Product Specifications

Product	Slimline Tile Insert
Color Options	Silk Silver Midnight Black Matte Gold
Full Length <sup>(1)(2)</sup>	18' (5.6m)
Cut Size Options <sup>(3)</sup>	3' (1.0m) 4' (1.2m) 5' (1.5m) 10' (3.0m)
Width	4" (100mm)
Depth	1" (26mm)
Material	Anodized Aluminum
Applications	Indoor and Outdoor
Weight Load Capacity	10.2 tonne - medium duty
Features	<ul style="list-style-type: none"> <li>• Suitable for tiles up to 7/16" thick</li> <li>• Joiners for easy extension</li> <li>• Easy roll out feature</li> <li>• Lifetime Rustproof Warranty</li> <li>• UV stable</li> </ul>
Product Codes	See table on page 3



- <sup>(1)</sup> Total length is 19' (5.8m), total usable length is 18' (5.6m) to allow for any wastage during the anodizing process.
- <sup>(2)</sup> Each full length includes a kit of: 5 pairs of end caps and 5 waste outlets.
- <sup>(3)</sup> 3', 4', and 5' cut size pieces include a kit of: 1 pair of end caps, 1 waste outlet, and 1 hole saw. 10' cut size pieces include a kit of: 3 pairs of end caps, 3 waste outlets, and 1 hole saw.

Waste outlets and hole saws come in 2" as standard size. 3" size available upon request.

Lauxes Grates products do not form part of the waterproofing  
All Lauxes grates and accessories hold UPC Certification

## CUTTING INSTRUCTIONS AND INSTALLATION

For ease of cutting Lauxes grates, we recommend using a compound miter saw fitted with a multi-material cutting blade 80 tooth or more. We also recommend using a Lauxes TCT hole saw to drill the hole for the waste outlet.

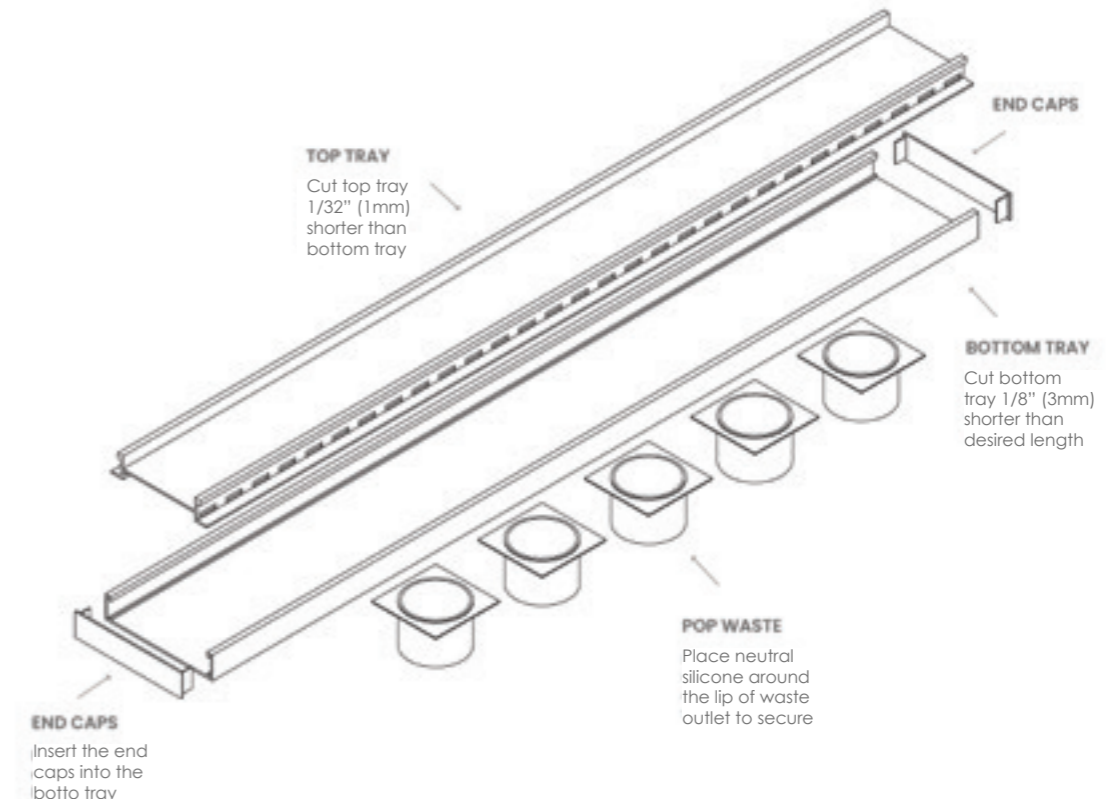
1. Cut the bottom tray 1/8" (3mm) shorter than desired length to allow end caps to be fitted.
2. Cut the top grate 1/32" (1mm) shorter than the bottom tray to allow for easy roll-in of top grate and tidy fit.

3. Using a suitable size Lauxes hole saw for your waste outlet, drill out the hole at the required position to align with the waste pipe in the floor.
4. Insert the end caps into bottom tray and secure with a bead of silicone on the outside of tray.
5. Place silicone around the lip of the waste outlet and secure to the underside of bottom tray at the recently drilled hole.

\* During installation use a template to ensure the grate does not come in contact with any wet cement based products.

\*\* Regular, gentle cleaning with soapy water is recommended. Do not use abrasive cloths or acidic chemicals on the grates.

\*\*\* When glueing tile, use a neutral cure silicone.



Grates to be installed by a licensed plumber  
Measurements in inches are a close approximate

## SLIMLINE TILE INSERT Product Codes for Easy Ordering

Color \ Length	Silk Silver	Midnight Black	Matte Gold
18' (5.6m) (full length)	LCSTIGRATE	LCMSTIGRATE	LCMYGSTIGRATE
10' (3.0m) (cut piece)	LCSTIK10F	LCMSTIK10F	LCMYGSTIK10F
5' (1.5m) (cut piece)	LCSTIK5F	LCMSTIK5F	LCMYGSTIK5F
4' (1.2m) (cut piece)	LCSTIK4F	LCMSTIK4F	LCMYGSTIK4F
3' (1.0m) (cut piece)	LCSTIK3F	LCMSTIK3F	LCMYGSTIK3F

For more technical information

scan the QR code



Warranty information and Care & Maintenance can be found at [www.lauxesgrates.com](http://www.lauxesgrates.com)

All Lauxes grates and accessories hold UPC Certification