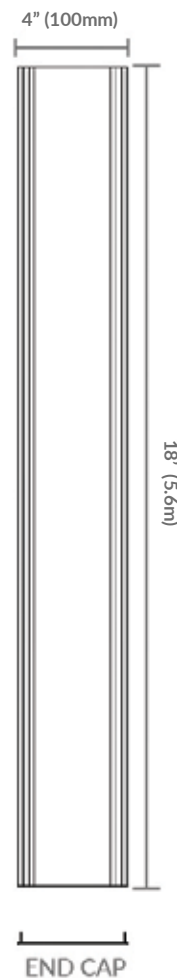


PRODUCT SPECIFICATIONS

Product	Midnight Slimline Tile Insert (MSTI)
Code	LCMSTIGRATE
Colour	Midnight Black
Length	18' (5.6m)
Width	4" (100mm)
Depth	1" (26mm)
Material	Anodized Aluminum
Applications	Indoor and Outdoor
Features	<ul style="list-style-type: none"> • Anti-water tracking • No visible holes • Easy roll out feature • Suitable for tiles up to 7/16" thick • Lifetime Rustproof Warranty



- * Total length is 19' (5.8m), total usable length is 18' (5.6m) to allow for any wastage during the anodizing process.
- * Each kit comes complete with length of grate, 5 pairs of end caps and 5 waste outlets.
- * Regular, gentle cleaning with soapy water is recommended. Do not use abrasive cloths or acidic chemicals on the grates.

Warranty information and Care & Maintenance can be found at www.lauxesgrates.com

Disclaimer: All Lauxes grates and accessories hold UPC Certification.

CUTTING INSTRUCTIONS AND INSTALLATION

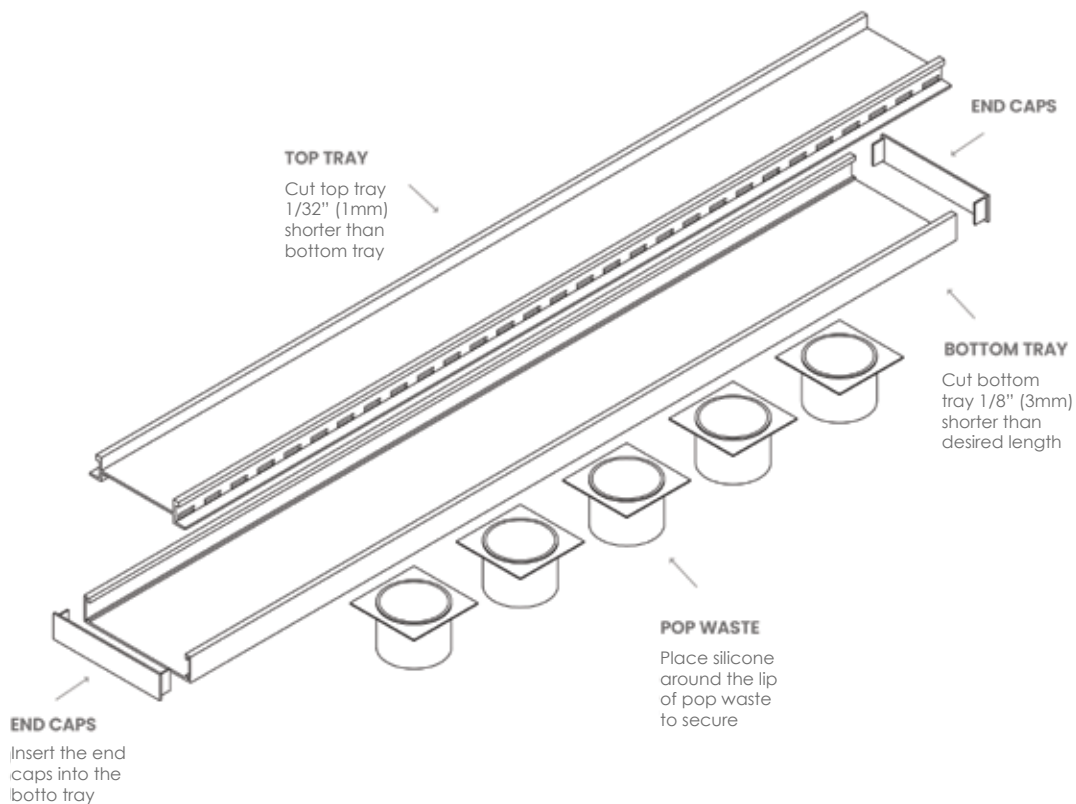
For ease of cutting Lauxes grates, we recommend using a compound miter saw fitted with a multi-material cutting blade 80 tooth or more. We also recommend using a Lauxes TCT hole saw to drill the hole for the waste outlet.

1. Cut the bottom tray 1/8" (3mm) shorter than desired length to allow end caps to be fitted.
2. Cut the top grate 1/32" (1mm) shorter than the bottom tray to allow for easy roll-in of top grate and tidy fit.

3. Using a suitable size Lauxes hole saw for your pop waste, drill out the hole at the required position to align with the waste pipe in the floor.
4. Insert the end caps into bottom tray and secure with a bead of silicone on the outside of tray.
5. Place silicone around the lip of the pop waste and secure to the underside of bottom tray at the recently drilled hole.

* During installation use a template to ensure the grate does not come in contact with any wet cement based products.

* When gluing tile, use a neutral cure silicone.



Grates to be installed by a licensed plumber.

** Measurements in inches are a close approximate.